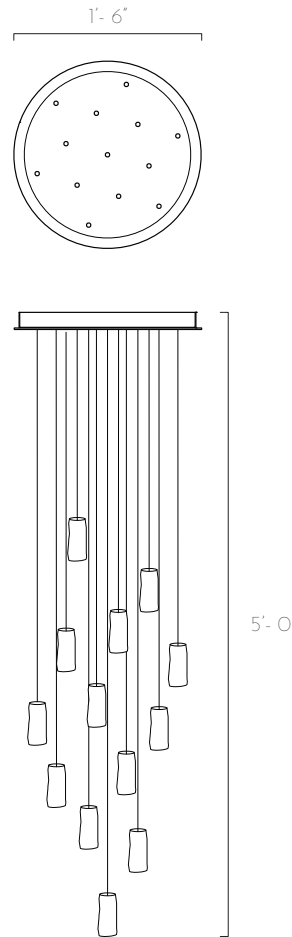


# AMORPHIC PORCELAIN

## 13 PENDANTS ROUND CHANDELIER



### DESCRIPTION

The Amorphic Porcelain introduces warm and radiant light into your space with this whimsical staggering pendant that mimics a glowing waterfall. A design collaboration with Canadian porcelain artist Bill Reddick. Hanging from a custom-made ceiling base, these porcelain fixtures infuse character and mood while still evoking contemporary style.

### TECHINCAL SPECIFICATIONS

**Designed by**  
AM Studio Team

**Category**  
Pendant Chandelier

**Canopy Finish**  
Powder coated metal in Flat White/ Sparkle Silver

**Canopy Size**  
18"D x 1.5"H

**Pendant Size**  
13 units of 2"D x 4"H

**Total Drop**  
5'H + 2' extra wire for adjustment

**Bulb**  
Dimmable G4 LED - 12V - 2W

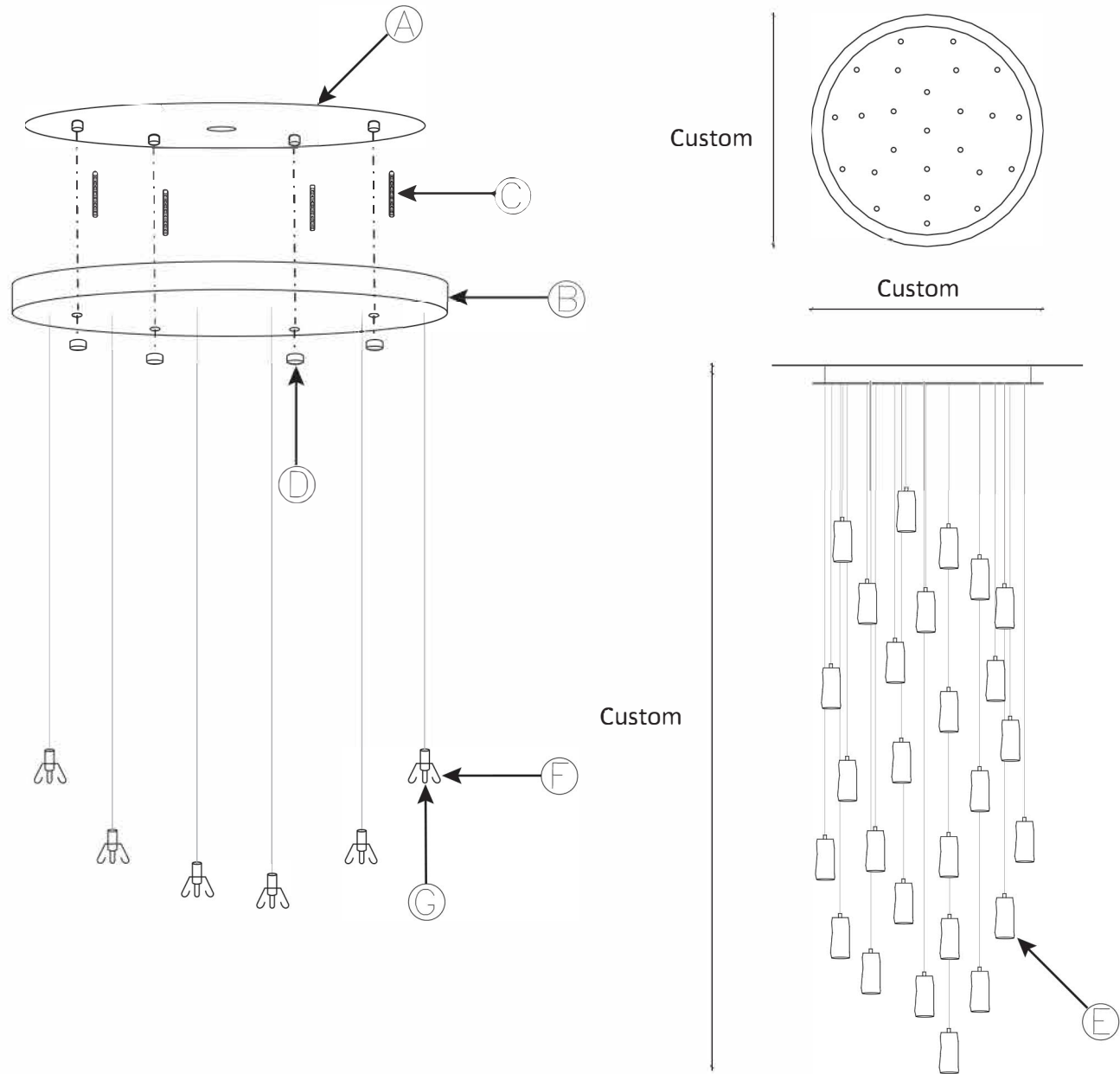
**Recommended Dimming Switch**  
Lutron CTCL-153PD  
Lutron Pro

**Transformer:**  
Magnitude E60R12DC - 60W 12VDC - Dimmable - Class 2 LED Driver  
Input: 120V  
Output: 12V

**Electrical Outlet needed:** 1

**Catalogue #** AP-13-18D

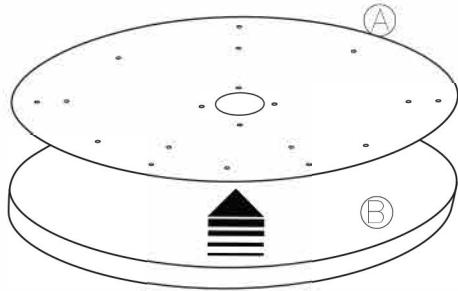
**Note:** Due to the nature of our handmade work, there may be slight variances in the finishes. AM Studio light fixtures are made to order, handmade and created in Toronto, Canada.



- (A) Bridge
- (B) Base
- (C) Support Rods  
(Temporary Mounting Only)
- (D) Button Head Screws
- (E) Amorphous Porcelain Pendants
- (F) Wire Metal Holders  
(To Hold Porcelain Pendants)
- (G) Bulbs

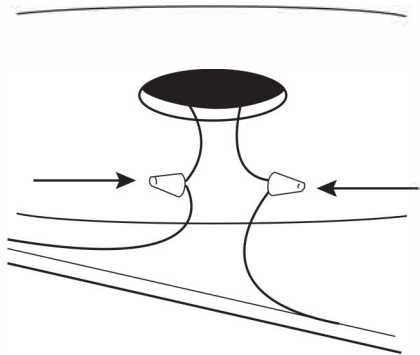
## AMORPHIC PORCELAIN Assembly Guide

1.



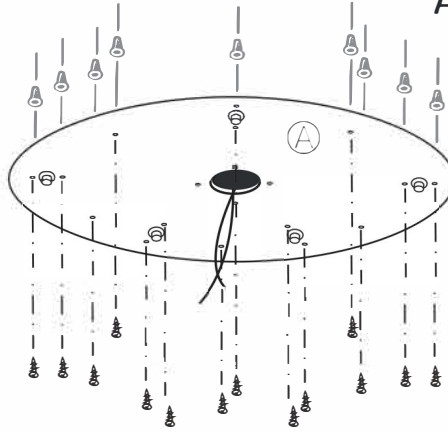
Separate (A) from (B)

4.



Connect electrical wire to the power

2.



Mount (A) to the ceiling.

*Note: When mounting be sure to locate and mount (A) to a joist/ceiling beam*

If you cannot do so, be sure to use drywall screws and anchors, drill additional holes for mounting for better support

5.

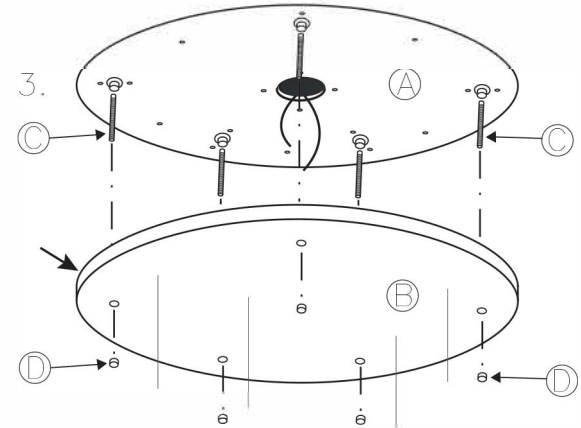
Test lights by turning on power



*Make sure bulb is not touching the glass!*

Turn off power after testing

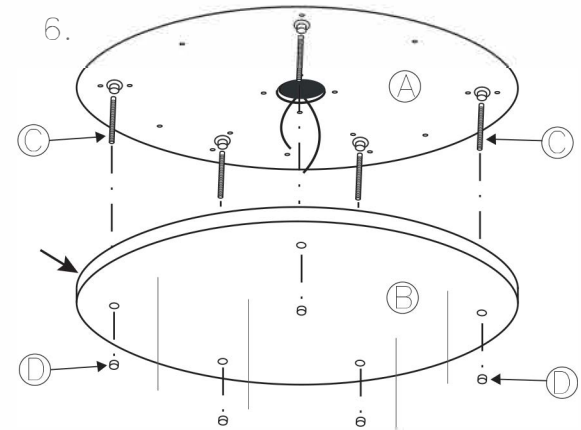
3.



Use support rods (C) provided to hang (B) off of (A)

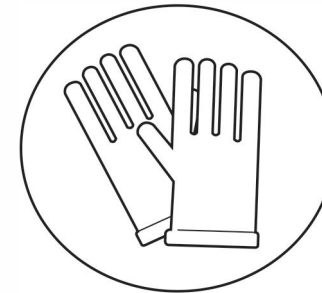
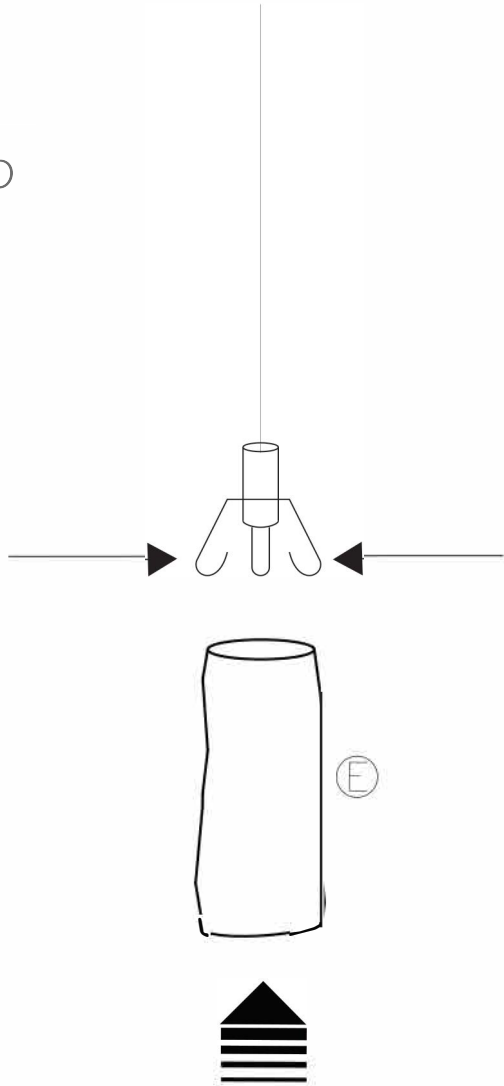
Complete attachment with button head screws (D)

6.



Remove rods (C) and attach (B) to (A) with the button head screws (D)

7.



Always use gloves when handling glass

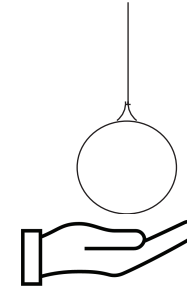
Take one Wire Metal Holder (used to hold Porcelain Pieces) (E), and pinch the metal wire ends (4 in total), then carefully slide the Amorphic Porcelain (E) to secure them onto the Wire Metal Holders (F). Release your hand once the Porcelain is securely fastened to the Wire Metal Holder (F).

1.



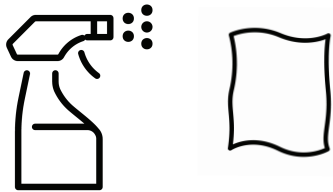
- Dust the cord/rope/chain with a duster.


2.



- Hold the glass pendant/light fixture and gently wipe with a duster or microfiber cloth to remove dust.

3.

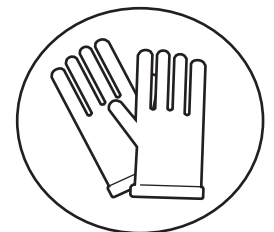


- For spot cleaning, use any good glass cleaner and a microfiber cloth.
-  Do **NOT** spray directly onto the light fixture/ glass pendant

4.



- Finish by gently wiping down the pendant with a soft, dry microfibre cloth.



Always use gloves when handling glass